

Chapter 9. Built-In Furnishings and Equipment

901 General

901.1 Scope. Built-in furnishings and equipment required to be accessible by the scoping provisions adopted by the administrative authority shall comply with the applicable provisions of Chapter 9.

902 Dining Surfaces and Work Surfaces

902.1 General. Accessible dining surfaces and work surfaces shall comply with Section 902.

EXCEPTION: Dining surfaces and work surfaces primarily for children's use shall be permitted to comply with Section 902.4.

902.2 Clear Floor Space. Clear floor space complying with Section 305, positioned for a forward approach, shall be provided. Knee and toe clearance complying with Section 306 shall be provided.

902.3 Height. The tops of dining surfaces and work surfaces shall be 28 inches (710 mm) minimum and 34 inches (865 mm) maximum in height above the floor.

902.4 Dining Surfaces and Work Surfaces for Children's Use. Accessible dining surfaces and work surfaces primarily for children's use shall comply with Section 902.4.

EXCEPTION: Dining surfaces and work surfaces used primarily by children ages 5 and younger shall not be required to comply with Section 902.4 where a clear floor space complying with Section 305, positioned for a parallel approach, is provided.

902.4.1 Clear Floor Space. A clear floor space complying with Section 305, positioned for forward approach, shall be provided. Knee and toe clearance complying with Section 306 shall be provided.

EXCEPTION: Knee clearance 24 inches (610 mm) minimum above the floor shall be permitted.

902.4.2 Height. The tops of tables and counters shall be 26 inches (660 mm) minimum and 30 inches (760 mm) maximum above the floor.

903 Benches

903.1 General. Accessible benches shall comply with Section 903.

903.2 Clear Floor Space. A clear floor space complying with Section 305, positioned for parallel approach to an end of the bench seat, shall be provided.

903.3 Size. Benches shall have seats 42 inches (1065 mm) minimum in length, and 20 inches (510 mm) minimum and 24 inches (610 mm) maximum in depth.

903.4 Back Support. The bench shall provide for back support or shall be affixed to a wall. Back support shall be 42 inches (1065 mm) minimum in length and shall extend from a point 2 inches (51 mm) maximum above the seat surface to a point 18 inches (455 mm) minimum above the seat surface. Back support shall be 2¹/₂ inches (64 mm) maximum from the rear edge of the seat measured horizontally.

903.5 Height. The top of the bench seat shall be 17 inches (430 mm) minimum and 19 inches (485 mm) maximum above the floor, measured to the top of the seat.

903.6 Structural Strength. Allowable stresses shall not be exceeded for materials used where a vertical or horizontal force of 250 pounds (1112 N) is applied at any point on the seat, fastener mounting device, or supporting structure.

903.7 Wet Locations. Where provided in wet locations the surface of the seat shall be slip resistant and shall not accumulate water.

904 Sales and Service Counters

904.1 General. Accessible sales and service counters shall comply with Section 904 as applicable.

904.2 Approach. All portions of counters required to be accessible shall be located adjacent to a walking surface complying with Section 403.

904.3 Sales and Service Counters. Sales and service counters shall comply with Section 904.3.1 or 904.3.2. The accessible portion of the countertop shall extend the same depth as the sales and service countertop.

904.3.1 Parallel Approach. A portion of the counter surface 36 inches (915 mm) minimum in length and 36 inches (915 mm) maximum in height above the floor shall be provided. Where the counter surface is less than 36 inches (915 mm) in length, the entire counter surface shall be

36 inches (915 mm) maximum in height above the floor. A clear floor space complying with Section 305, positioned for a parallel approach adjacent to the accessible counter, shall be provided.

904.3.2 Forward Approach. A portion of the counter surface 30 inches (760 mm) minimum in length and 36 inches (915 mm) maximum in height above the floor shall be provided. A clear floor space complying with Section 305, positioned for a forward approach to the accessible counter, shall be provided. Knee and toe clearance complying with Section 306 shall be provided under the accessible counter.

904.4 Checkout Aisles. Checkout aisles shall comply with Section 904.4.

904.4.1 Aisle. Aisles shall comply with Section 403.

904.4.2 Counters. The checkout counter surface shall be 38 inches (965 mm) maximum in height above the floor. The top of the counter edge protection shall be 2 inches (51 mm) maximum above the top of the counter surface on the aisle side of the checkout counter.

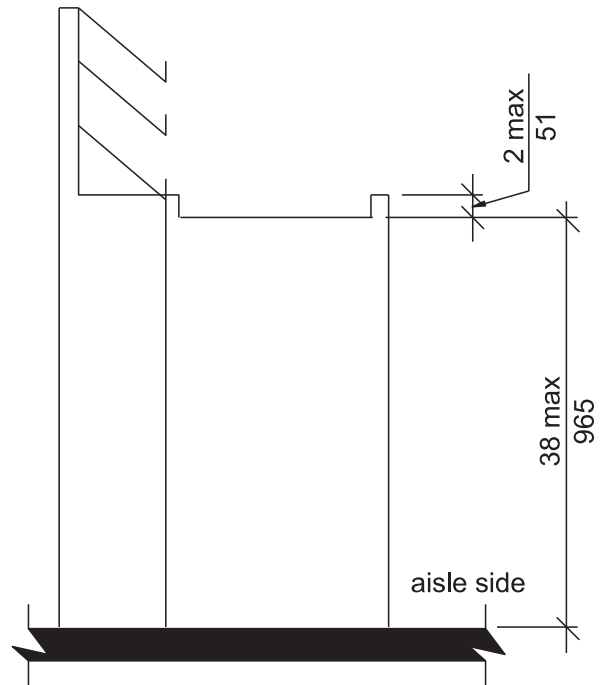
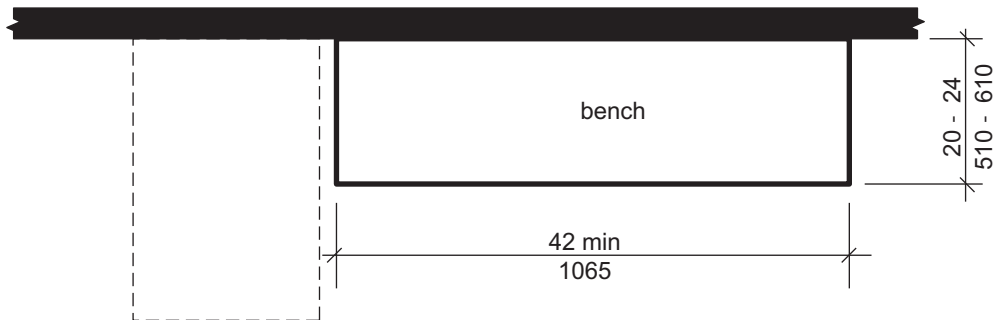
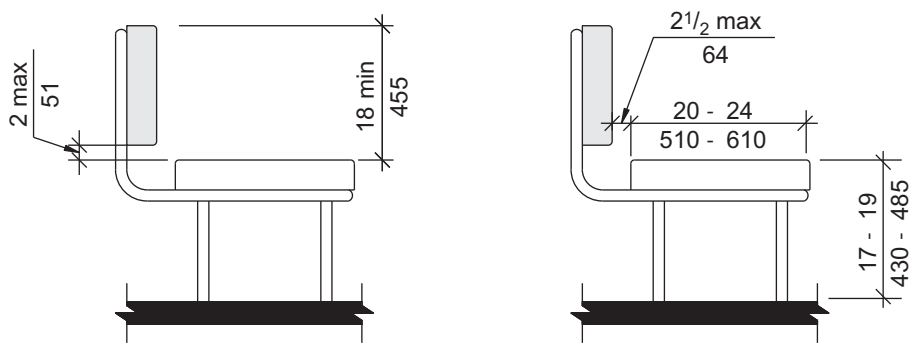


Fig. 904.4.2
Height of Checkout Counters



(a) Clear Floor Space and Size



(b) Bench Back Support and Seat Height

Fig. 903
Benches

904.4.3 Check Writing Surfaces. Where provided, check writing surfaces shall comply with Section 902.3.

904.5 Food Service Lines. Counters in food service lines shall comply with Section 904.5.

904.5.1 Self-Service Shelves and Dispensing Devices. Self-service shelves and dispensing devices for tableware, dishware, condiments, food and beverages shall comply with Section 308.

904.5.2 Tray Slides. The tops of tray slides shall be 28 inches (710 mm) minimum and 34 inches (865 mm) maximum above the floor.

904.6 Security Glazing. Where counters or teller windows have security glazing to separate personnel from the public, a method to facilitate voice communication shall be provided. Telephone handset devices, if provided, shall comply with Section 704.3.

905 Storage Facilities

905.1 General. Accessible storage facilities shall comply with Section 905.

905.2 Clear Floor Space. A clear floor space complying with Section 305 shall be provided.

905.3 Height. Accessible storage elements shall comply with at least one of the reach ranges specified in Section 308.

905.4 Operable Parts. Operable parts of storage facilities shall comply with Section 309.

